

# JASPER MK2

Dynamic White



## DESCRIPTION

**JASPER MK2** establishes new standards in high output lighting projectors for the illumination of large-scale or expansive architectural structures. The high-wattage luminaire offers a wide selection of nine standard distributions ranging from symmetric ultra-narrow 4° spot to ultra-wide 125°, as well as elliptical and elliptical wide beam patterns. JASPER incorporates 60 high power LEDs in a choice of RGBW or dynamic white; or static warm, neutral, or cool white to deliver an extensive palette of colors, tones, and hues. On-board controls allow users to program fixed colors or simple color sequencing for standalone operation or multiple unit synchronization in a master-satellite configuration without the need for external control systems. Luminaires may also be paired with external DMX control systems for dynamic color-changing scenes. Options include visors and snoots for added light control. Contact factory for custom tailored distributions with spreading diffusers. All hardware is stainless steel.



Date: \_\_\_\_\_ Type: \_\_\_\_\_ Catalog Number: \_\_\_\_\_

Project Name: \_\_\_\_\_

## ORDERING INFORMATION

LUMINAIRE							
MODEL	CCT	CONTROL	CABLE	VOLTAGE	OPTIC	FINISH	OPTION
<b>JSPRMK2</b> Jasper MK2	<b>DW</b> Dynamic White (2700K to 6500K)	<b>DMX-RDM</b> DMX/RDM	<b>S</b> Power in, DMX in, DMX out (59")	<b>UNV</b> 120 - 277V	<b>US</b> Ultra Spot 4°	<b>AG</b> Anthracite Grey	<b>AST</b> Anti-Saline Treatment
<b>JSPRMK2PE</b> Jasper MK2 Polar Edition					<b>SP</b> Spot 8°	<b>BL</b> Black	<b>3G</b> 3G Mounting Yoke
					<b>NB</b> Narrow 12°	<b>SG</b> Griven Silver Grey	
					<b>MB</b> Medium 24°	<b>WH</b> White	
					<b>WB</b> Wide 44°	<b>CC</b> Custom RAL Color	
					<b>EW</b> Extra Wide 58°		
					<b>UW</b> Ultra Wide 116°		
					<b>ELH</b> Elliptical 42°x10°		
					<b>ELWH</b> Elliptical Wide 39°x20°		

\*Consult factory for availability of other optical options.

See Page 8 for ordering information of available accessories.

		JASPER MK2 DYNAMIC WHITE		
PHYSICAL	HOUSING	Die-Cast Aluminum		
	DIMENSIONS	Luminaire	Luminaire with Standard Bracket	Luminaire with 3G Mounting Yoke
		18.8" L x 5.6" W x $\phi$ 17.7"	18.8" L x 5.6" W x 19.5" H	18.8" L x 5.6" W x 19.5" H
	WEIGHT	40.3 Pounds		
OPERATING TEMPERATURE	-40°C to 50°C (-40°F to 122°F)			

ELECTRICAL	POWER CONSUMPTION	195 Watts	
	AMPERAGE	1.63A @ 120V 0.70A @ 277V	
	CONTROL PROTOCOLS *	DMX/RDM   Standalone   Master-Satellite * See separate DMX Mode Application Sheet	
	CABLE LENGTH	59"	

PHOTOMETRIC	LED	Dynamic White (Tunable 2700K to 6500K)	
	# LEDS	60	
	DELIVERED LUMEN OUTPUT	Up to 19865 Lumens	
	EFFICACY	Up to 102 Lumens per Watt	
	LUMEN MAINTENANCE (L70)	90,700 Hours	
	# DISTRIBUTIONS	Nine	
	LIGHT CONTROL ACCESSORIES	Snoot, Visor	

LIGHT DISTRIBUTIONS	DISTRIBUTION	BEAM ANGLE	LUMENS	EFFICACY	MAX. CANDELA
	ULTRA SPOT	4°	16483	85	690934
SPOT	8°	19865	102	262337	
NARROW	12°	18198	93	85250	
MEDIUM	24°	18198	93	85250	
WIDE	44°	18376	94	29120	
EXTRA WIDE	58°	18434	95	19367	
ULTRA WIDE	116°	12693	65	4150	
ELLIPTICAL	42° x 10°	17930	92	83623	
ELLIPTICAL WIDE	39° x 20°	16312	84	49355	

Values based on full output.

CERTIFICATIONS	SAFETY	ETL Certified for Wet Locations	
	INGRESS PROTECTION	IP66	
	IMPACT RATING	IK10	
	WARRANTY	5 Year Limited Warranty	

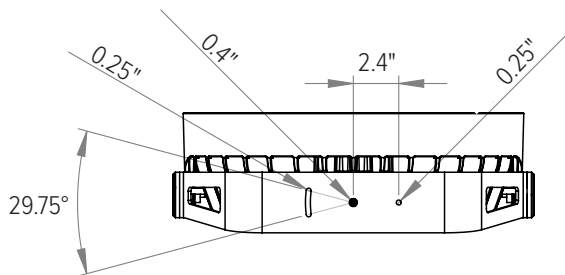
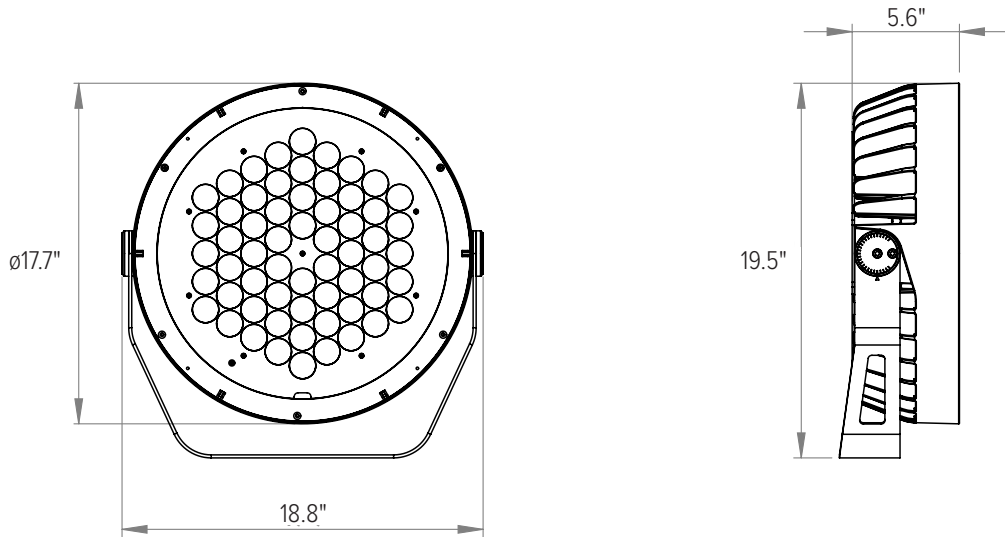
# JASPER MK2

Dynamic White



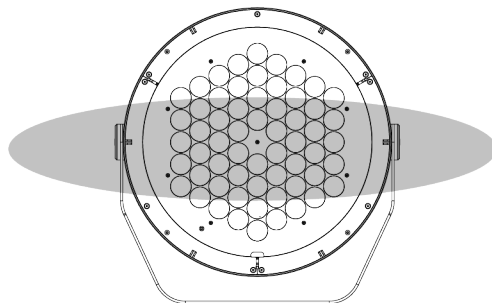
## DIMENSIONS

All dimensions are shown in inches unless otherwise noted. Ultra Spot optics shown.

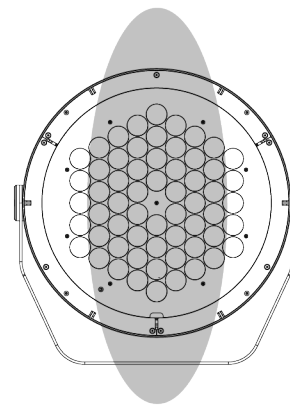


## OPTIC ORIENTATION

Consult factory for availability of optional spreading diffusers.



HORIZONTAL MODE (Standard)



VERTICAL MODE (On Request)

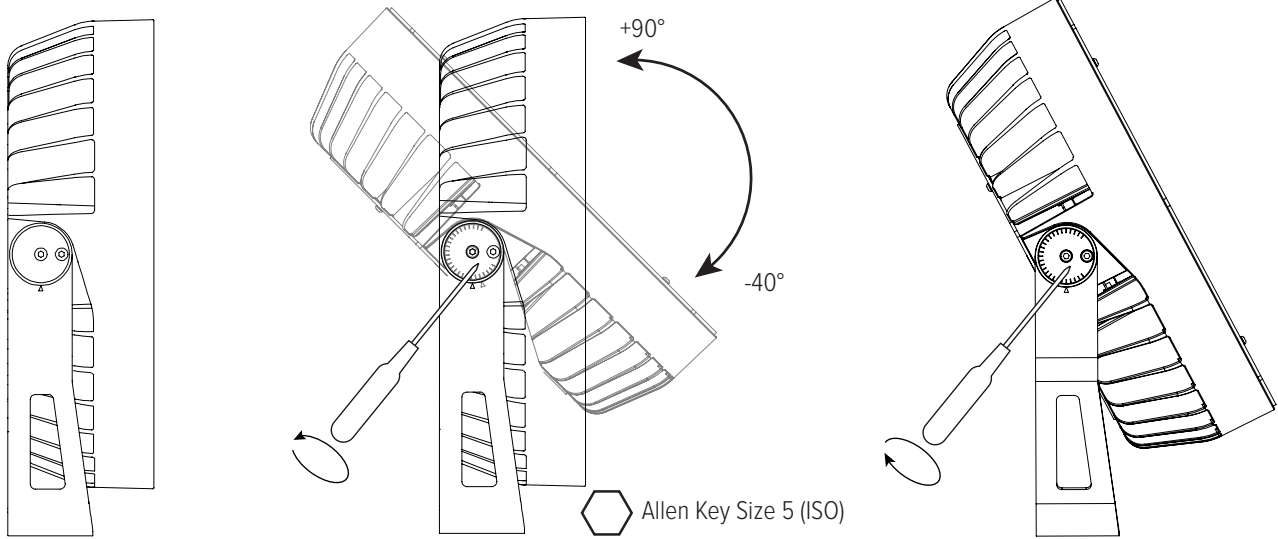
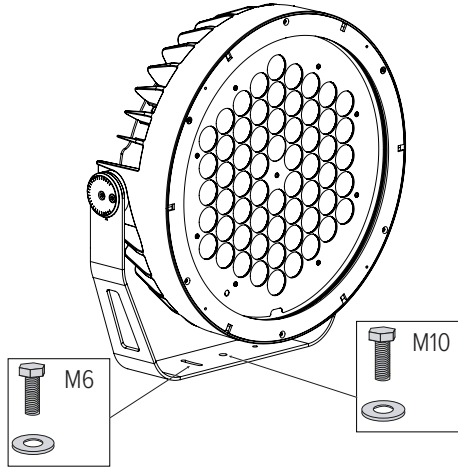
# JASPER MK2

Dynamic White



## MOUNTING

All dimensions are shown in inches unless otherwise noted. Ultra Spot optics shown.



# JASPER MK2

Dynamic White

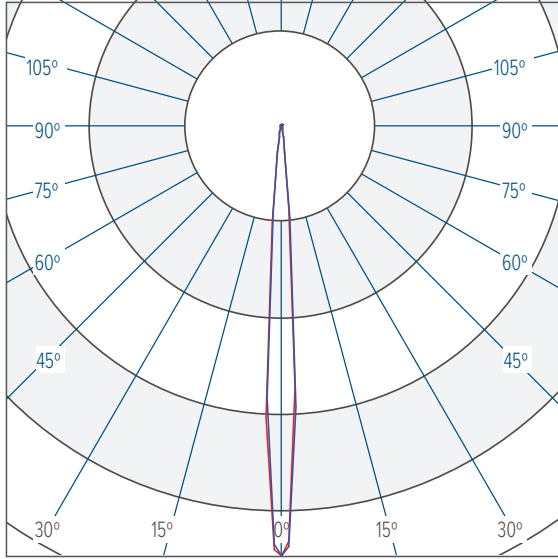


## PHOTOMETRICS

### ULTRA SPOT 4°

CBCP 690934 @ 16483 lumens

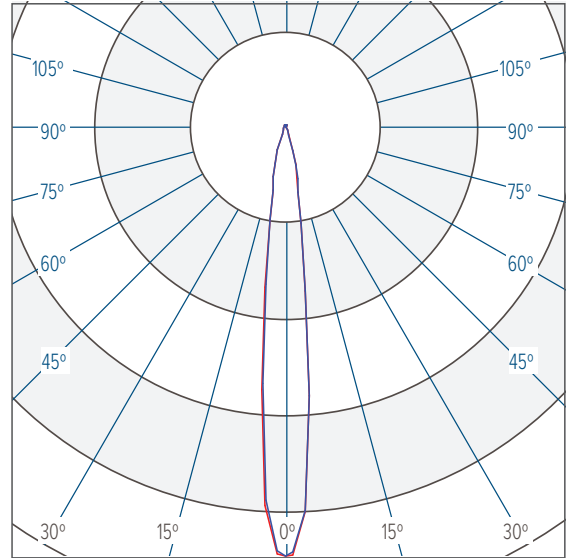
— Horizontal  
— Vertical



### SPOT 8°

CBCP 262337 @ 19865 lumens

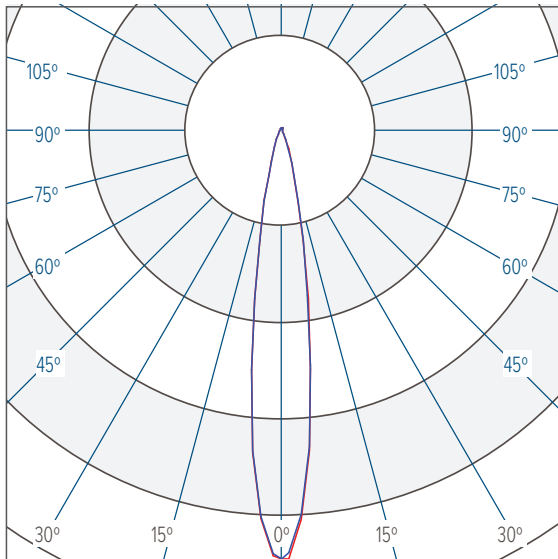
— Horizontal  
— Vertical



### NARROW 12°

CBCP 85250 @ 18198 lumens

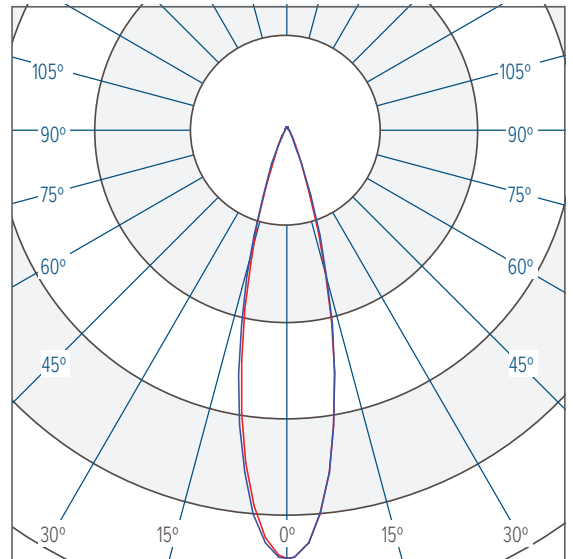
— Horizontal  
— Vertical



### MEDIUM 24°

CBCP 85250 @ 18198 lumens

— Horizontal  
— Vertical



# JASPER MK2

Dynamic White

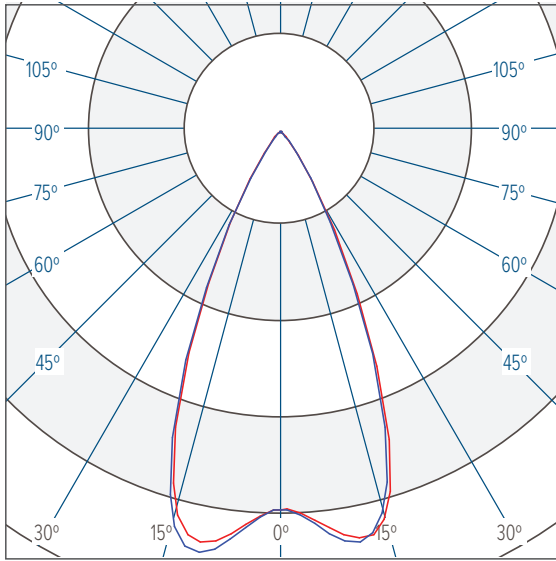


## PHOTOMETRICS

### WIDE 44°

CBCP 29120 @ 18376 lumens

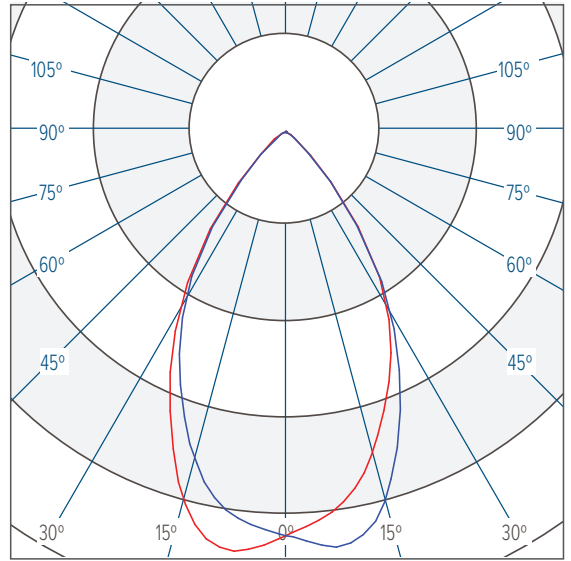
Horizontal  
Vertical



### EXTRA WIDE 58°

CBCP 19367 @ 18434 lumens

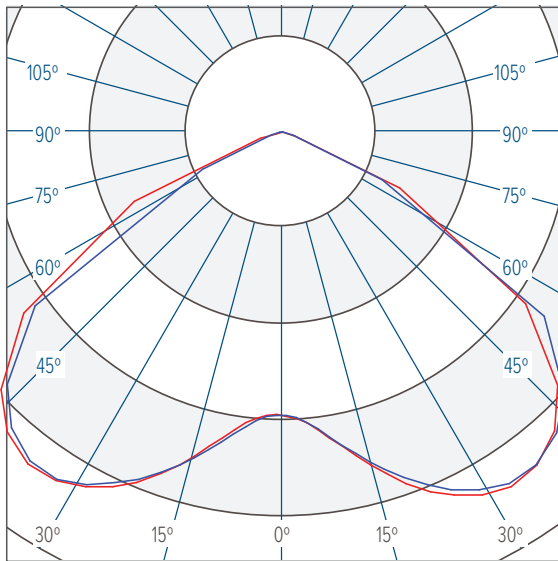
Horizontal  
Vertical



### ULTRA WIDE 116°

CBCP 4150 @ 12693 lumens

Horizontal  
Vertical



# JASPER MK2

Dynamic White

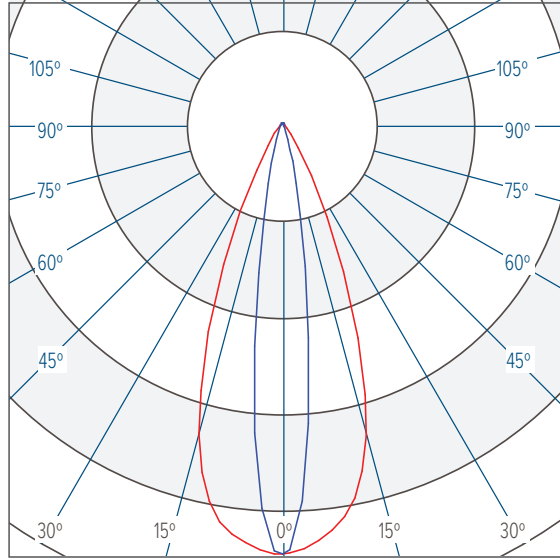


## PHOTOMETRICS

### ELLIPTICAL 42° x 10°

CBCP 83623 @ 17930 lumens

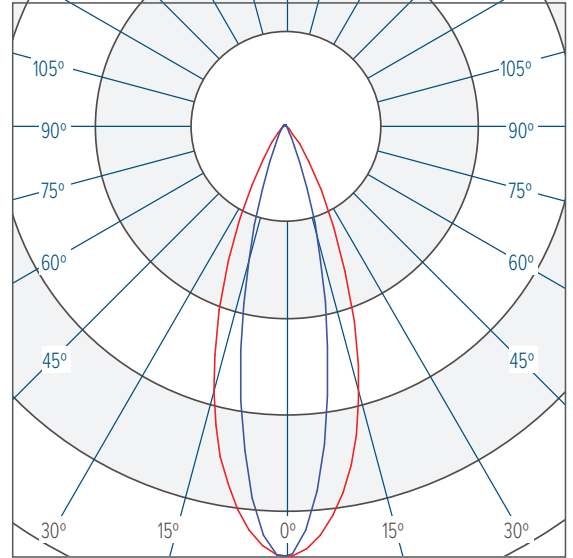
Horizontal  
Vertical



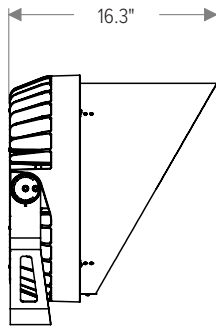
### ELLIPTICAL WIDE 39° x 20°

CBCP 49355 @ 16312 lumens

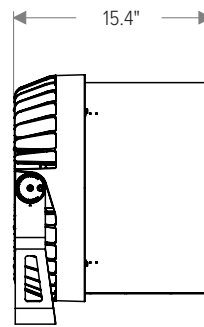
Horizontal  
Vertical



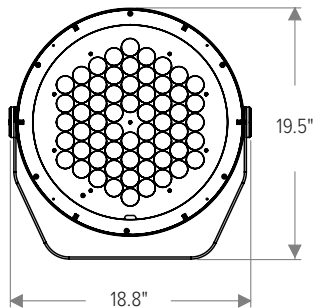
## ACCESSORY DIMENSIONS



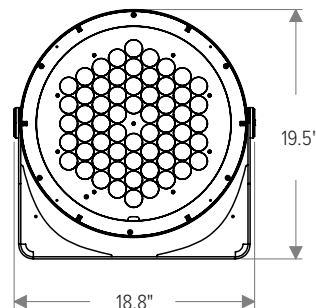
With Visor (JSRPMK2-VISOR)



With Snoot (JSRPMK2-SNOOT)



Standard Bracket



With 3G Mounting Yoke (Ordered with Luminaire)

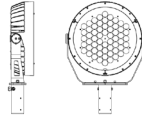
## ACCESSORIES

NOTE: Accessories are ordered and shipped separately from luminaire for field installation.

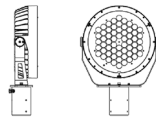
-XX\* indicates a painted accessory. See bottom of page for painted accessory ordering information.



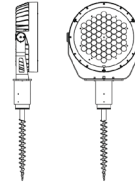
**IR-CONFIG-REMOTE**  
Infrared Configuration Remote



**JSPRMK2-2.375IN-SF-XX\***  
Slipfitter for 2 3/8" OD Pole Top,  
Tenon, or Pipe



**JSPRMK2-4IN-SF-XX\***  
Slipfitter for 4" OD Pole Top,  
Tenon, or Pipe



**JSPR-GSK-XX\***  
Ground Stake



**JSPRMK2-VISOR-XX\***  
Visor



**JSPRMK2-SNOOT-XX\***  
Snoot



**GRIVEN-DMXTRMNR**  
DMX Terminator



**GRIVEN-STRTLNBX-C**  
Start Line Box with Connectors



**GRIVEN-STRTLNBX-NC**  
Start Line Box without Connectors



**GRIVEN-RPWRBX-C**  
Repower Box with Connectors



**GRIVEN-RPWRBX-NC**  
Repower Box without Connectors



**GRIVEN-DMXJB-C**  
DMX Junction Box with Connectors



**GRIVEN-DMXJB-NC**  
DMX Junction Box without  
Connectors



**GRIVEN-CBL-1M**  
Connection Cable- 1 Meter (3' 3")



**GRIVEN-CBL-2M**  
Connection Cable- 2 Meters (6' 6")



**GRIVEN-CBL-3M**  
Connection Cable- 3 Meters (9' 10")



**GRIVEN-CBL-5M**  
Connection Cable- 5 Meters (16' 4")



**GRIVEN-CBL-10M**  
Connection Cable- 10 Meters  
(32' 10")

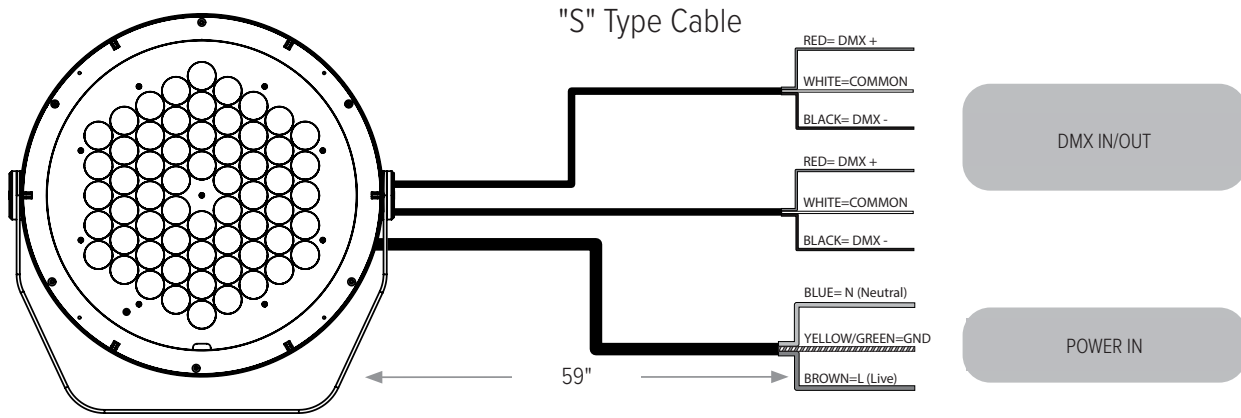
## ORDERING INFORMATION

### PAINTED ACCESSORIES

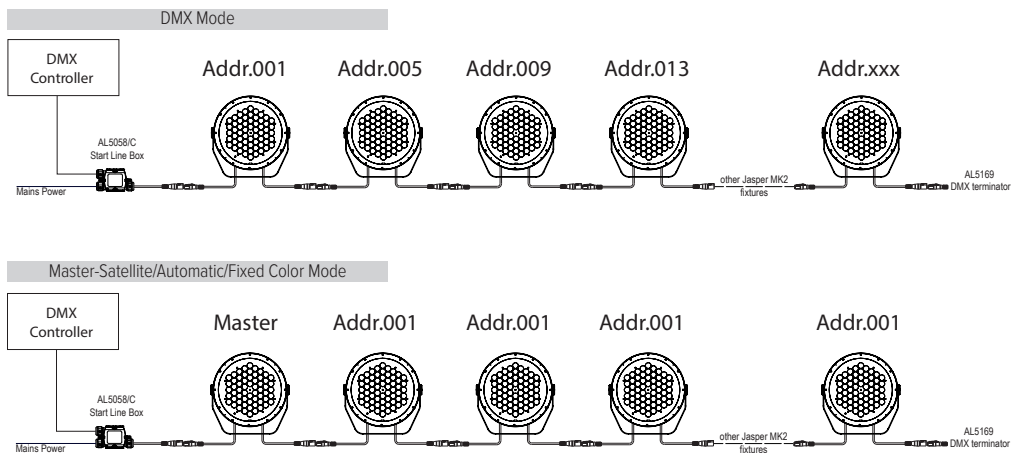
MODEL		FINISH (*-XX)		OPTION	
JSPRMK2-VISOR	Visor	AG	Anthraccite Grey	AST	Anti-Saline Treatment
JSPRMK2-SNOOT	Snoot	BL	Black		
JSPR-2.375IN-SF	2.375" Slipfitter for 2 3/8" OD Pole Top, Tenon, or Pipe	SG	Griven Silver Grey		
JSPR-4IN-SF	4" Slipfitter for 2 3/8" OD Pole Top, Tenon, or Pipe	WH	White		
JSPR-GSK	Ground Stake	CC	Custom RAL Color		



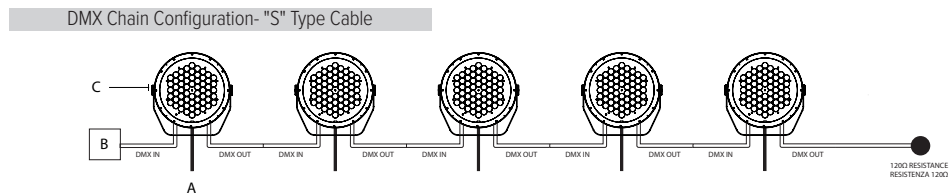
CONNECTIONS



OPERATING MODES



CONFIGURATION



- A: Power Input
- B: DMX/RDM Controller
- C: Jasper MK2
- D: Start Line Box (GRIVEN-STRTLNBX)
- E: DMX Cable
- F: DMX Junction Box (GRIVEN-DMXJB)
- G: Connection Cable (GRIVEN-CBL)
- H: DMX Terminator (GRIVEN-DMXTRMNTNTR)
- I: Heat Shrink Tubing